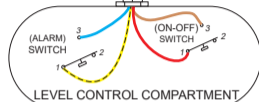


HARD WIRED LEVEL CONTROL SUPPLY CABLE WIRE COLOR & OPERATION

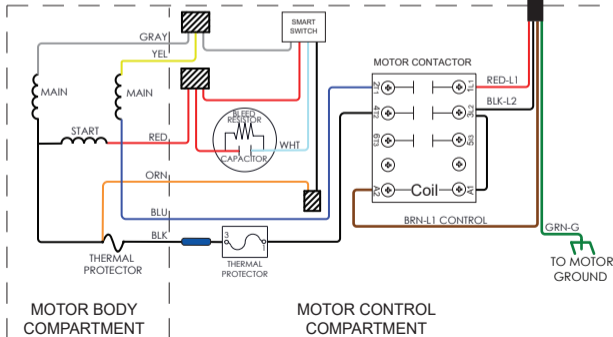
EQD PIN #	WIRE COLOR	FUNCTION
4	BROWN	MANUAL RUN
3 & 6	RED	L1
5	BLACK	L2 OR NEUTRAL
\perp	GREEN W/ YELLOW STRIPE	GROUND
2	YELLOW	ALARM POWER FEED
1	BLUE	ALARM POWER RETURN

SUPPLY CABLE



HARD WIRE OPTION

Alarm Yellow and Blue wires go to the alarm panel only. Motor Control Red and Brown wires go to both alarm panel and motor contactor.



eone

NA0036P18 REV. B

SWED, 230V, 50HZ
DUAL VOLTAGE MOTOR
CONTROL WIRING TAG